

1 2 3 4 5 6

A

B

C

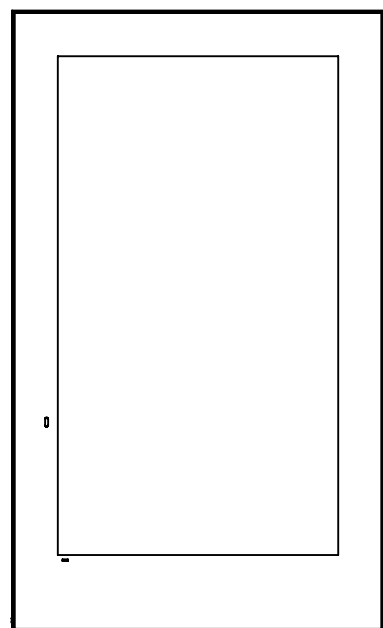
D

A

B

C

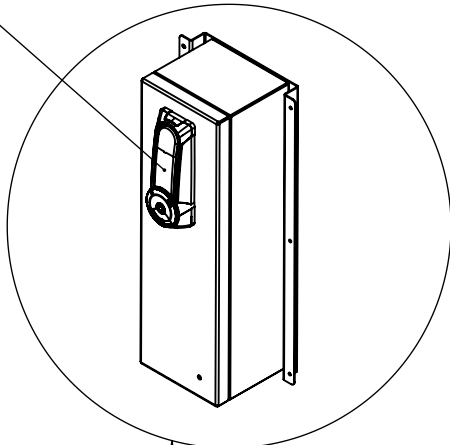
D



veiligheidssticker volgens NEN3011

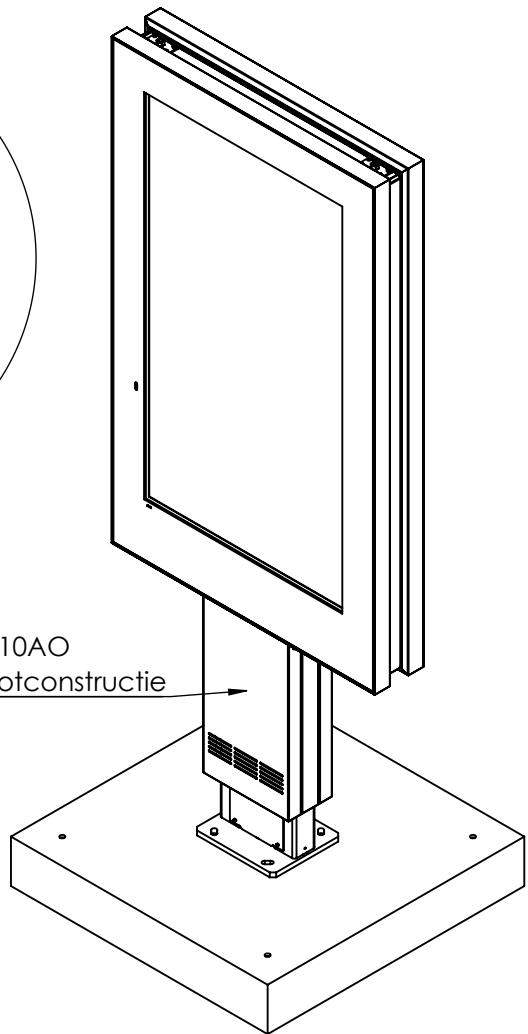
Hevel met dubbele cilinder

SCALE 1 : 10



kabinet\*

Referentietype DU10AO opgenomen in voetconstructie



poetconstructie

maaiveld

fundering

200

afdekplaat tegen ongedierte

aardepunt M8

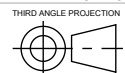
\* De hoofdschakelaar bevindt zich in het kabinet, welke met bijgeleverde instructie te openen is.

Unless otherwise specified: All dimensions are in millimeters & include chem.applied/plated finish. Remove burrs & sharp edges.

DUMETS CONFIDENTIAL: THIS DOCUMENT AND THE INFORMATION CONTAINED IN IT ARE CONFIDENTIAL AND CANNOT BE COPIED OR DISCLOSED IN WHOLE OR IN PART WITHOUT THE EXPRESS WRITTEN CONSENT OF DUMETS HOLLAND

Tolerance according to NEN-ISO 406  
 Roughness according to NEN 3634  
 Shape tolerance according to NEN-ISO 1101

Nominal size (mm)	dim variation (mm)
0 - 3	±0.1
3 - 6	±0.15
6 - 10	±0.2
10 - 15	±0.25
15 - 20	±0.3
20 - 30	±0.4
30 - 50	±0.5
50 - 100	±0.8
100 - 200	±1.2
200 - 500	±1.5



Part number: 7246



Dumets International B.V. www.dumets.com info@dumets.com

Description: Digital Sign Outdoor 75" SS FS CCNL Alu  
 Material:   
 Finish: -  
 Configuration: Default  
 Weight: 987.19 Kg  
 Drawing: DU10AO-7246  
 Surface area: m2 Thickness: mm  
 Revision: 01

Date last saved: 13-5-2024  
 Date created: 27-3-2024

DXF available on request

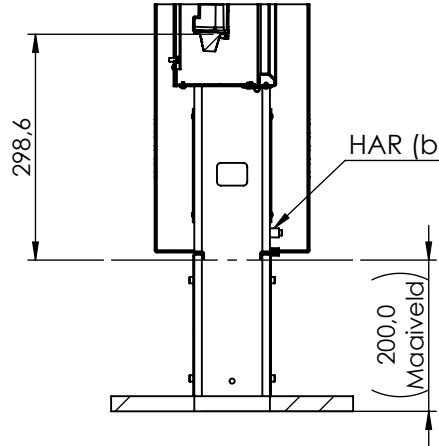
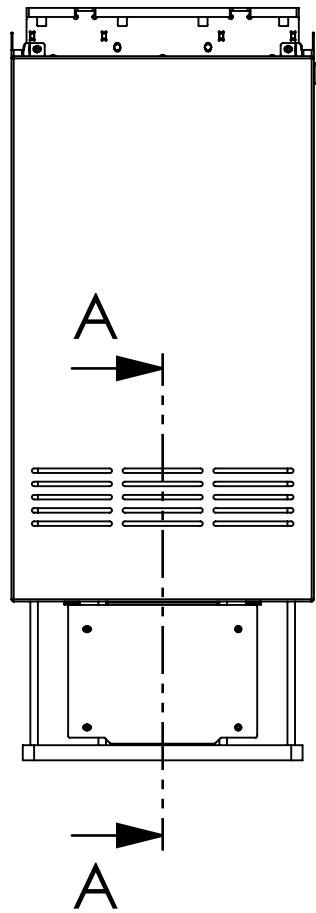
Size A4

Scale: 1:25 A. Ruwe SHEET 1 OF 2

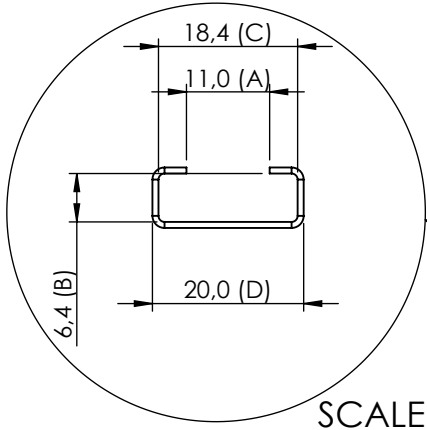
Additioneel type DU10AO-7246

1 2 3 4 5 6

Sheet name: Sheet1

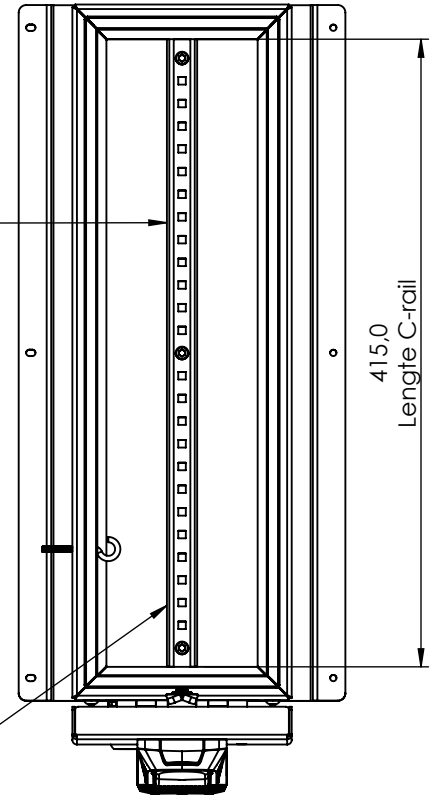


**SECTION A-A**  
SCALE 1 : 10



SCALE 1 : 1

Referentietype Dumets 10A Onbemet (DU10AO)  
Voorzijde, geopende toestand



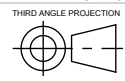
C-rail  
Gecentreerd en over de gehele lengte van de achterwand

Unless otherwise specified: All dimensions are in millimeters & include chem.applied/plated finish. Remove burrs & sharp edges.

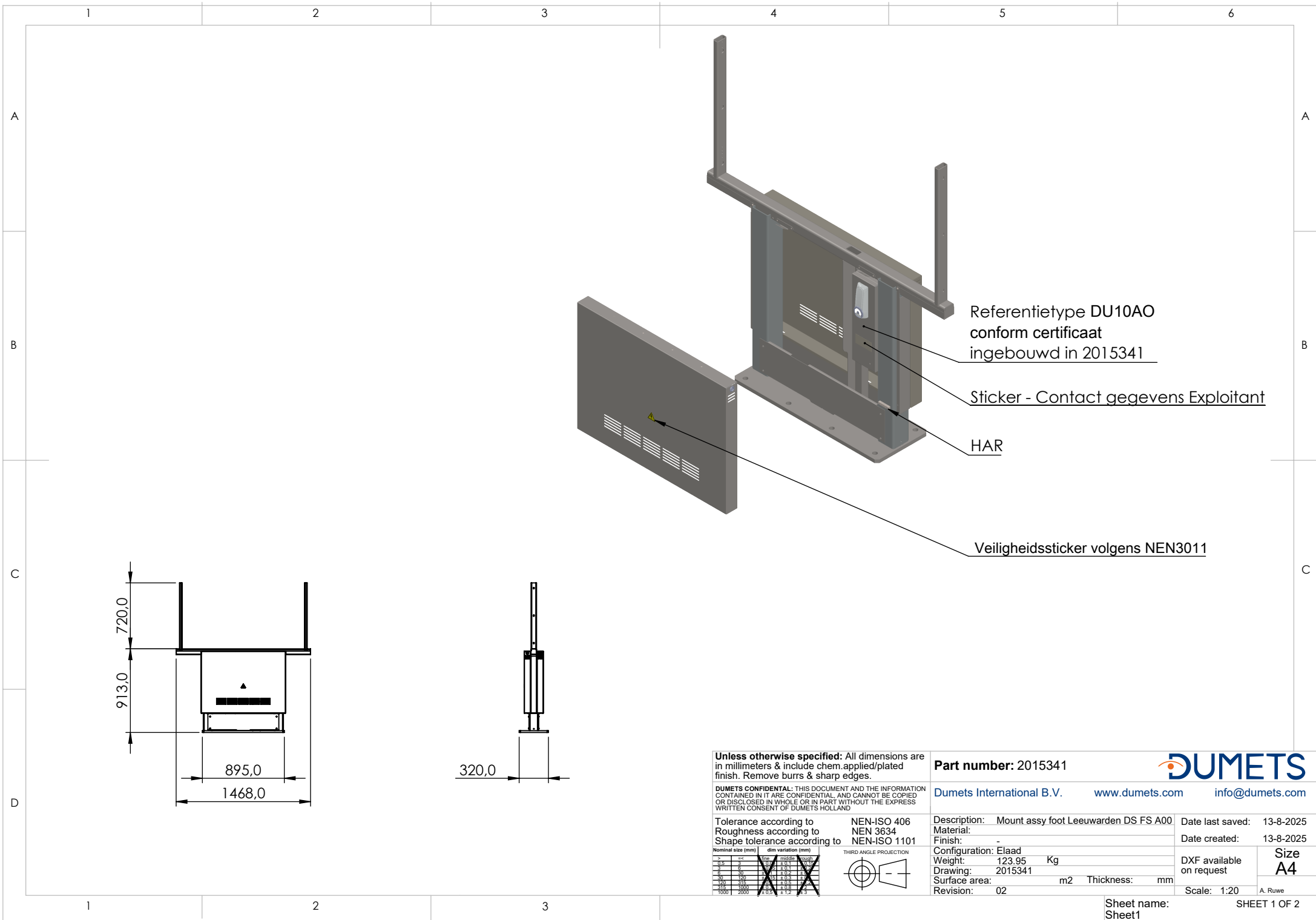
DUMETS CONFIDENTIAL: THIS DOCUMENT AND THE INFORMATION CONTAINED IN IT ARE CONFIDENTIAL AND CANNOT BE COPIED OR DISCLOSED IN WHOLE OR IN PART WITHOUT THE EXPRESS WRITTEN CONSENT OF DUMETS HOLLAND

Tolerance according to NEN-ISO 406  
Roughness according to NEN 3634  
Shape tolerance according to NEN-ISO 1101

Nominal size (mm)	dim variation (mm)
0 - 3	±0,1
3 - 6	±0,15
6 - 10	±0,2
10 - 15	±0,25
15 - 20	±0,3
20 - 30	±0,4
30 - 50	±0,5
50 - 100	±0,8
100 - 200	±1,2



<b>Part number:</b> 7246	
Dumets International B.V.	www.dumets.com info@dumets.com
<b>Description:</b> Digital Sign Outdoor 75" SS FS CCNL Alu	Date last saved: 13-5-2024
<b>Material:</b>	Date created: 27-3-2024
<b>Finish:</b>	
<b>Configuration:</b> Default	
<b>Weight:</b> 987,19 Kg	
<b>Drawing:</b> DU10AO-7246	
<b>Surface area:</b> m2	<b>Thickness:</b> mm
<b>Revision:</b> 01	
	<b>DXF available on request</b>
	<b>Scale:</b> 1:5
	<b>Size A4</b>
	Drawn by: A. Ruwe

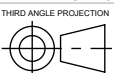


Unless otherwise specified: All dimensions are in millimeters & include chem.applied/plated finish. Remove burrs & sharp edges.

DUMETS CONFIDENTIAL: THIS DOCUMENT AND THE INFORMATION CONTAINED IN IT ARE CONFIDENTIAL AND CANNOT BE COPIED OR DISCLOSED IN WHOLE OR IN PART WITHOUT THE EXPRESS WRITTEN CONSENT OF DUMETS HOLLAND

Tolerance according to NEN-ISO 406  
 Roughness according to NEN 3634  
 Shape tolerance according to NEN-ISO 1101

Nominal size (mm)	dim variation (mm)
0.2	±0.01
0.3	±0.01
0.5	±0.01
0.8	±0.01
1.0	±0.01
1.5	±0.01
2.0	±0.01
3.0	±0.02
4.0	±0.02
5.0	±0.02
6.0	±0.02
8.0	±0.03
10.0	±0.03
15.0	±0.04
20.0	±0.05



Part number: 2015341



Dumets International B.V.    www.dumets.com    info@dumets.com

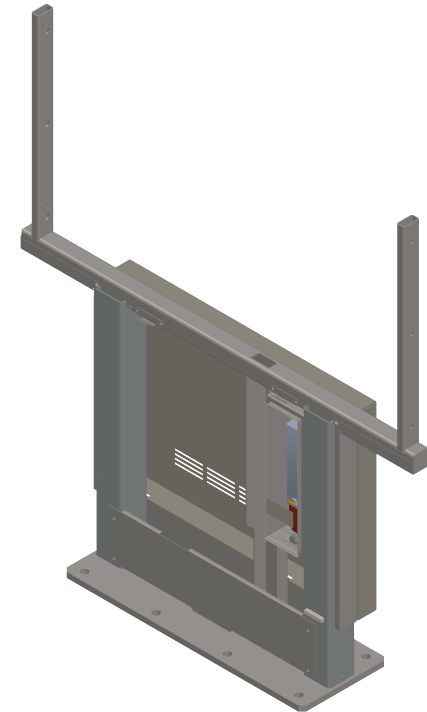
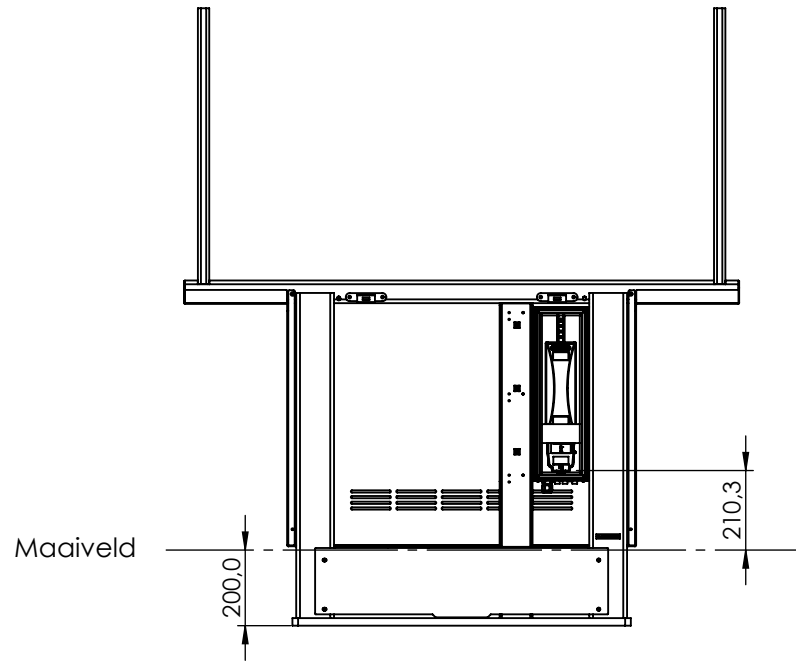
Description: Mount assy foot Leeuwarden DS FS A00  
 Material:  
 Finish: -  
 Configuration: Elaad  
 Weight: 123.95 Kg  
 Drawing: 2015341  
 Surface area: m2    Thickness: mm  
 Revision: 02

Date last saved: 13-8-2025  
 Date created: 13-8-2025  
 DXF available on request  
 Scale: 1:20

Size A4

**2015341 Exclusief:**

- Frontplaat voet
- Deur DU10AO

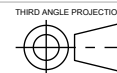


Unless otherwise specified: All dimensions are in millimeters & include chem.applied/plated finish. Remove burrs & sharp edges.

DUMETS CONFIDENTIAL: THIS DOCUMENT AND THE INFORMATION CONTAINED IN IT ARE CONFIDENTIAL AND CANNOT BE COPIED OR DISCLOSED IN WHOLE OR IN PART WITHOUT THE EXPRESS WRITTEN CONSENT OF DUMETS HOLLAND

Tolerance according to NEN-ISO 406  
 Roughness according to NEN 3634  
 Shape tolerance according to NEN-ISO 1101

Nominal size (mm)	dim variation (mm)
0 - 0,5	± 0,01
0,5 - 1	± 0,015
1 - 3	± 0,02
3 - 6	± 0,03
6 - 10	± 0,04
10 - 15	± 0,05
15 - 20	± 0,06
20 - 30	± 0,08
30 - 50	± 0,10
50 - 100	± 0,15
100 - 200	± 0,20



Part number: 2015341



Dumets International B.V. www.dumets.com info@dumets.com

Description: Mount assy foot Leeuwarden DS FS A00 Date last saved: 13-8-2025  
 Material: Date created: 13-8-2025  
 Finish: -  
 Configuration: Elaad  
 Weight: 123,95 Kg  
 Drawing: 2015341 DXF available on request  
 Surface area: m2 Thickness: mm  
 Revision: 02 Scale: 1:20 A. Ruwe

Size A4

Sheet name: Sheet2

SHEET 2 OF 2