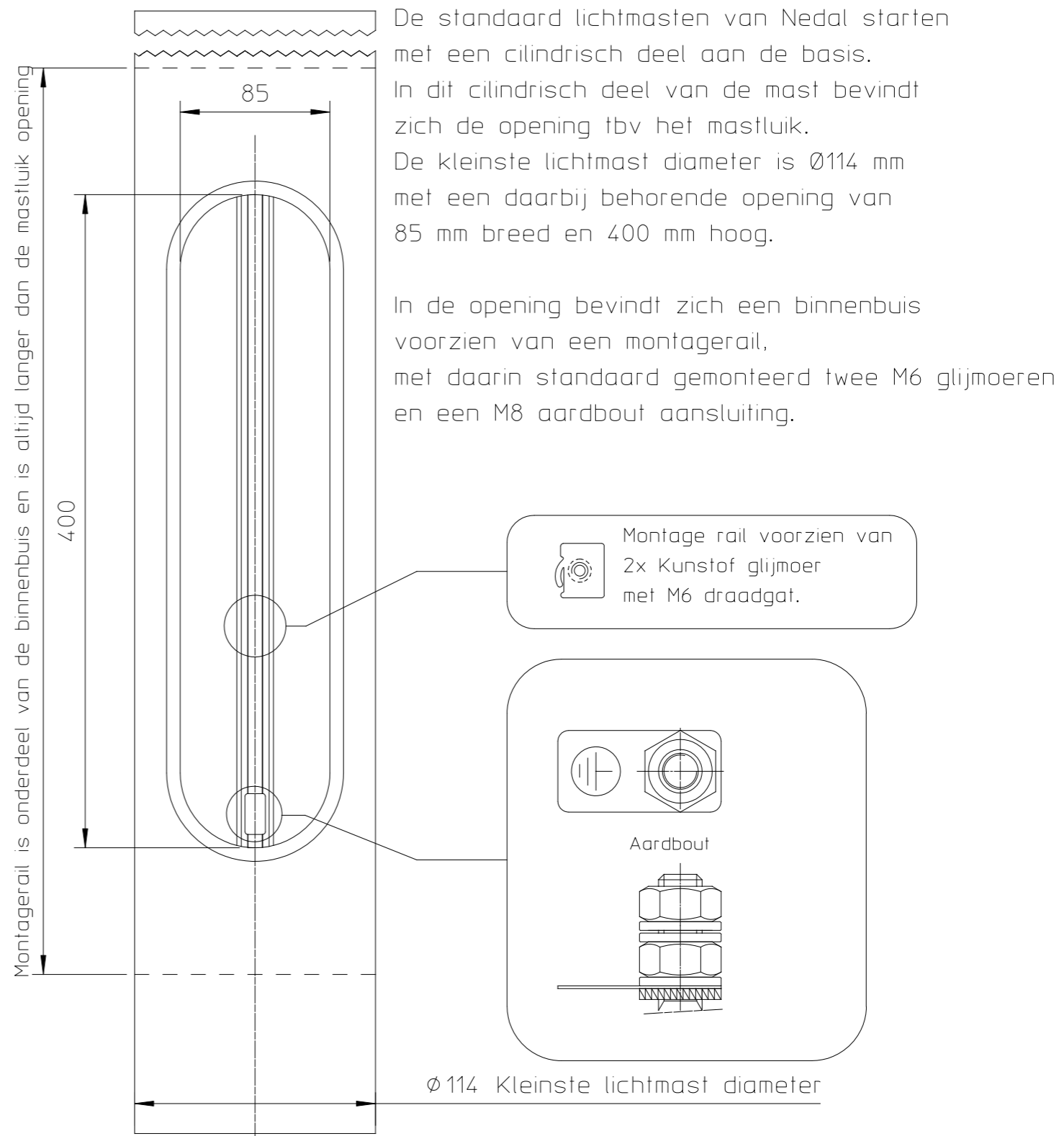
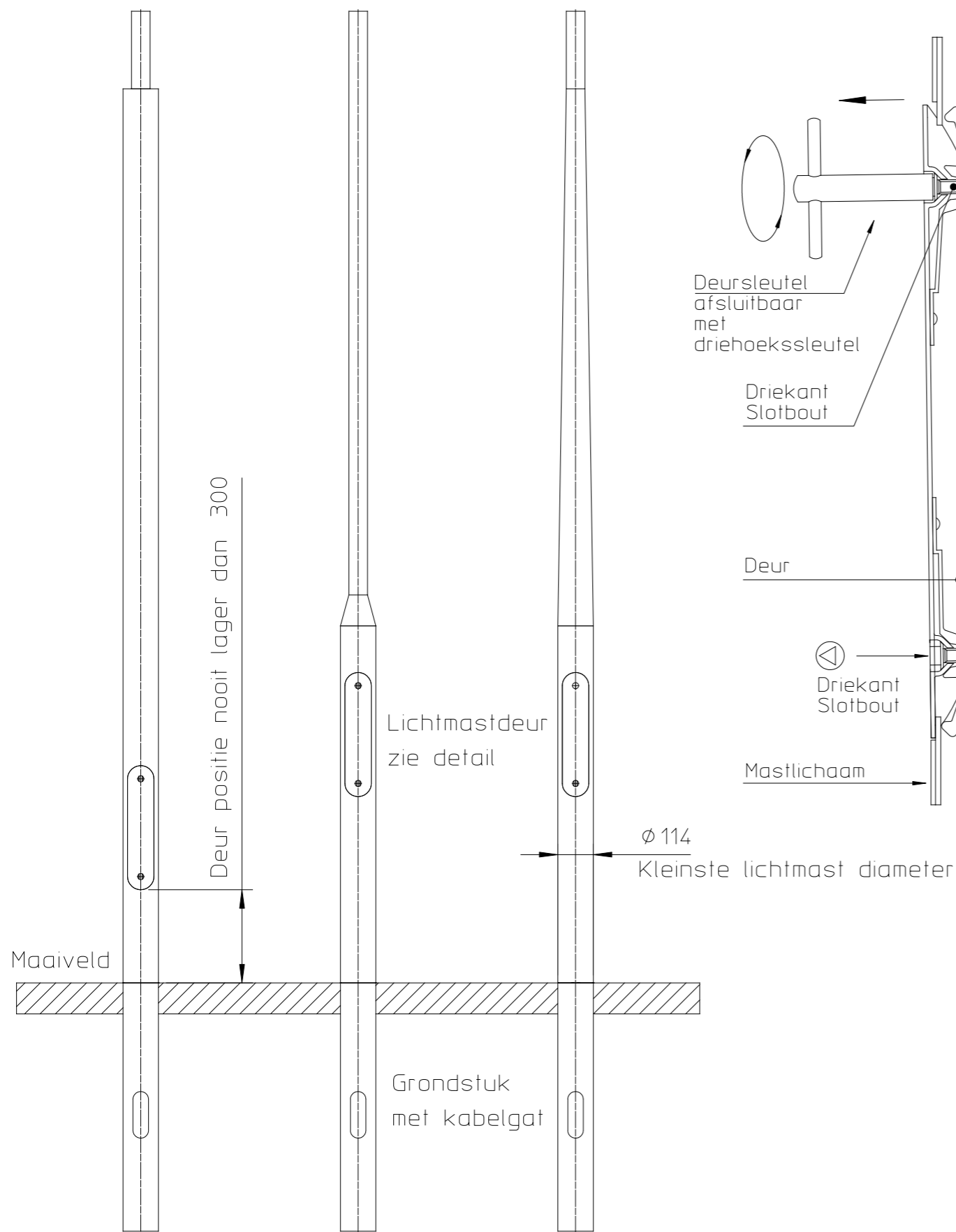


Cilindrische mast Verloop mast Konische mast

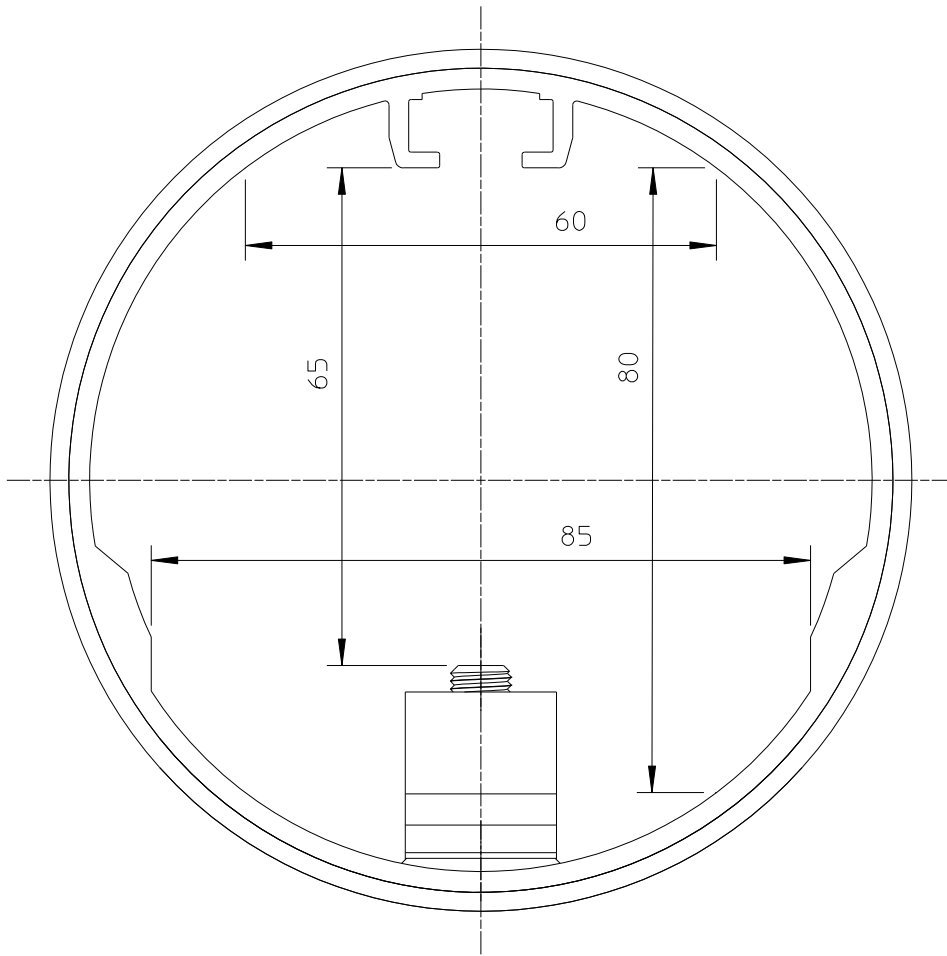


Material:					
Revision		Description		Date	By
Lt	0000 mm.	Scale		Measurements in mm unless otherwise stated.	
Lc	0000 mm.		By	Date	All rights reserved. This drawing is the property of NEDAL and may not be copied or multiplied neither wholly nor partly. It may not be submitted for perusal to third parties either.
m	0000 kg.	Drawn	JH	25-05-23	
Doorn:	0000	Checked			
Title:		Drawing number:		Rev:	Size
Lichtmastdeur opening		102468			A A3



Nedal
ALUMINIUM

MEMBER OF THE
HunterDouglas
GROUP

Lichtmast Ø114



Vrije ruimte tussen de sluitbouten
= deurhoogte - 120mm

Material:					
		Revision	Description		Date By
Lt	0000 mm.	Scale	1:5		Measurements in mm unless otherwise stated.
Lc	0000 mm.		By	Date	All rights reserved. This drawing is the property of NEDAL and may not be copied or multiplied neither wholly nor partly. It may not be submitted for perusal to third parties either.  
m	0000 kg.	Drawn	PG	20-03-12	
Doorn:	0000	Checked			
Title:		Drawing number:		Rev:	Size
Lichtmast Ø114		Binnenruimte114		0	A4