

1 2 3 4 5 6

A

A

B

B

C

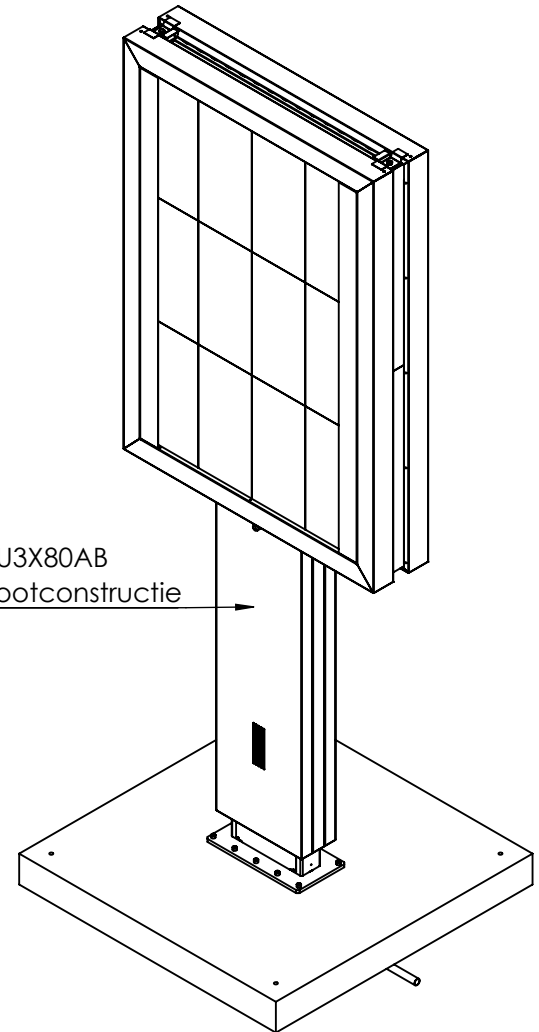
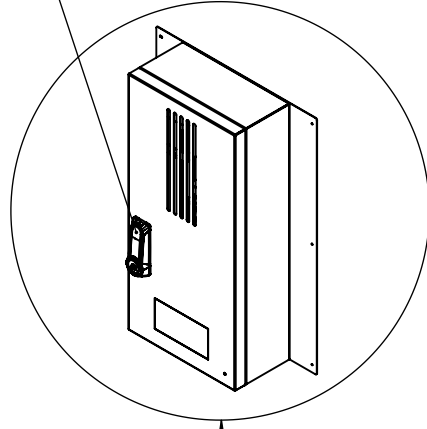
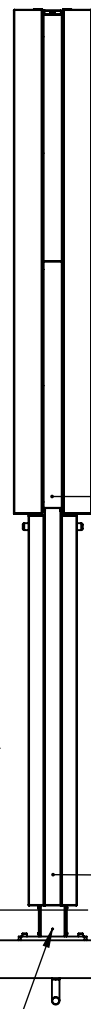
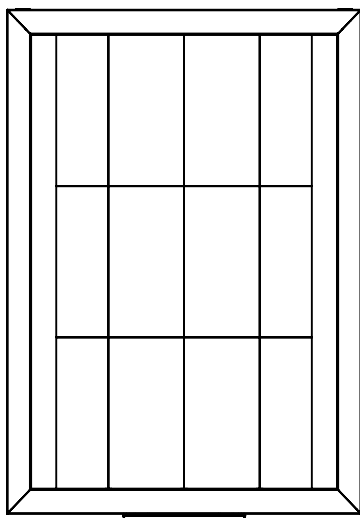
C

D

D

Hevel met dubbele cilinder

SCALE 1 : 20



kabinet

Referentietype DU3X80AB
opgenomen in pootconstructie

veiligheidssticker volgens NEN3011

pootconstructie

maaiveld

fundering

200

afdekplaat tegen ongedierte

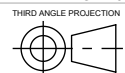
aardepunt M8

Unless otherwise specified: All dimensions are in millimeters & include chem.applied/plated finish. Remove burrs & sharp edges.

DUMETS CONFIDENTIAL: THIS DOCUMENT AND THE INFORMATION CONTAINED IN IT ARE CONFIDENTIAL AND CANNOT BE COPIED OR DISCLOSED IN WHOLE OR IN PART WITHOUT THE EXPRESS WRITTEN CONSENT OF DUMETS HOLLAND

Tolerance according to NEN-ISO 406
Roughness according to NEN 3634
Shape tolerance according to NEN-ISO 1101

Nominal size (mm)	dim variation (mm)
0 - 3	±0.1
3 - 6	±0.1
6 - 10	±0.1
10 - 15	±0.1
15 - 20	±0.1
20 - 30	±0.1
30 - 50	±0.1
50 - 100	±0.1
100 - 200	±0.1



Part number: 7245



Dumets International B.V. www.dumets.com info@dumets.com

Description: Billboard DS LED 6m2 CCNL Almere
Material:
Finish: -
Configuration: Default
Weight: 0.00 Kg
Drawing: DU3X80AB-7245
Surface area: m2 Thickness: mm
Revision: 02

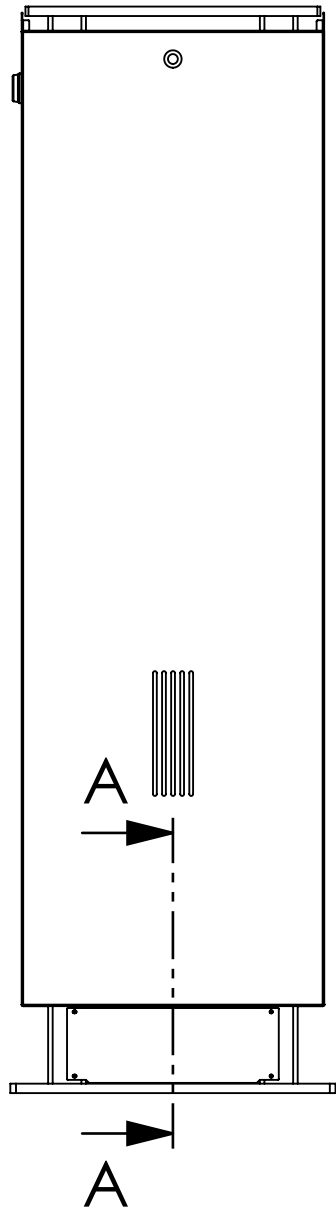
Date last saved: 13-5-2024
Date created: 27-3-2024
DXF available on request
Scale: 1:50
A. Ruwe

Size A4

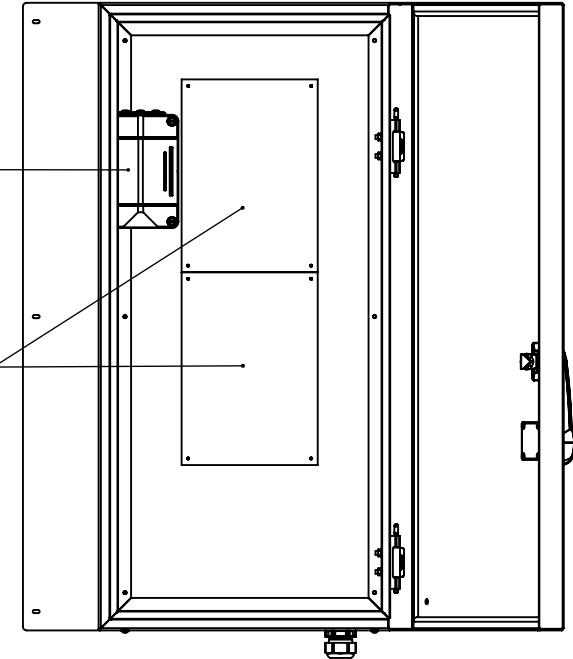
Additioneel type DU3X80AB-7245

Sheet name: Sheet1 SHEET 1 OF 2

1 2 3



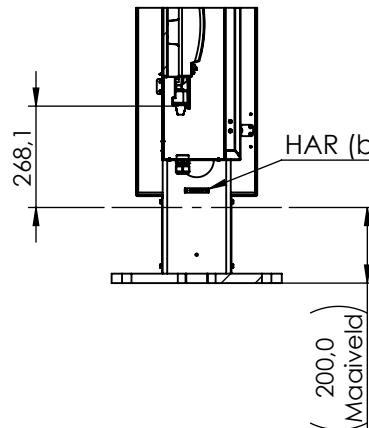
Referentietype Dumets 3x80A Bemeten (DU3X80AB)
Voorzijde, geopende toestand



hoofdschakelaar

2x prefab-montage plaat (CT100403, simplistische weergave)
Gatenpatroon (bevestiging) bevindt zich in de achterwand

SECTION A-A

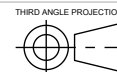


Unless otherwise specified: All dimensions are in millimeters & include chem.applied/plated finish. Remove burrs & sharp edges.

DUMETS CONFIDENTIAL: THIS DOCUMENT AND THE INFORMATION CONTAINED IN IT ARE CONFIDENTIAL AND CANNOT BE COPIED OR DISCLOSED IN WHOLE OR IN PART WITHOUT THE EXPRESS WRITTEN CONSENT OF DUMETS HOLLAND

Tolerance according to NEN-ISO 406
Roughness according to NEN 3634
Shape tolerance according to NEN-ISO 1101

Nominal size (mm)	dim variation (mm)
0 - 3	±0,1
3 - 6	±0,15
6 - 10	±0,2
10 - 15	±0,25
15 - 20	±0,3
20 - 30	±0,4
30 - 50	±0,5
50 - 100	±0,8
100 - 200	±1,2



Part number: 7245



Dumets International B.V. www.dumets.com info@dumets.com

Description: Billboard DS LED 6m2 CCNL Almere	Date last saved: 13-5-2024
Material:	Date created: 27-3-2024
Finish: -	DXF available on request
Configuration: Default	Size A4
Weight: 0,00 Kg	Drawn by: A. Ruwe
Drawing: DU3X80AB-7245	Scale: 1:20
Surface area: m2 Thickness: mm	Revision: 02

Sheet name: Sheet2

SHEET 2 OF 2