

1 2 3 4 5 6

A

B

C

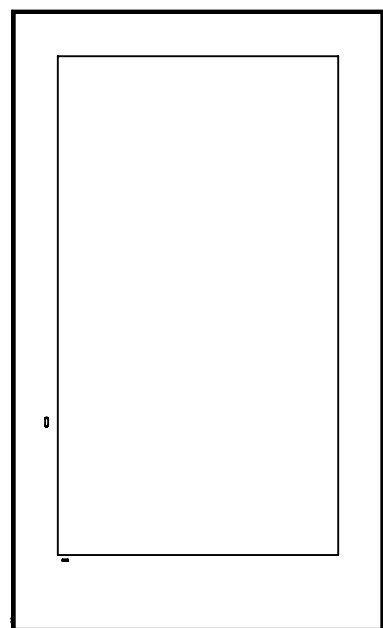
D

A

B

C

D

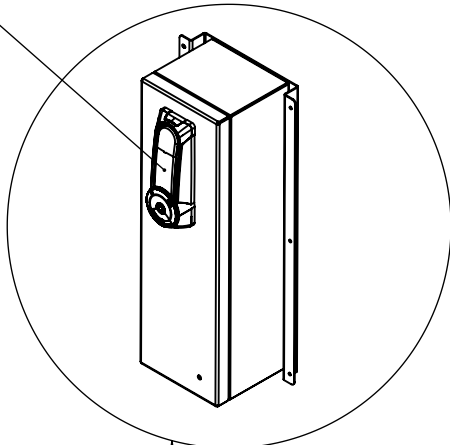


veiligheidssticker volgens NEN3011

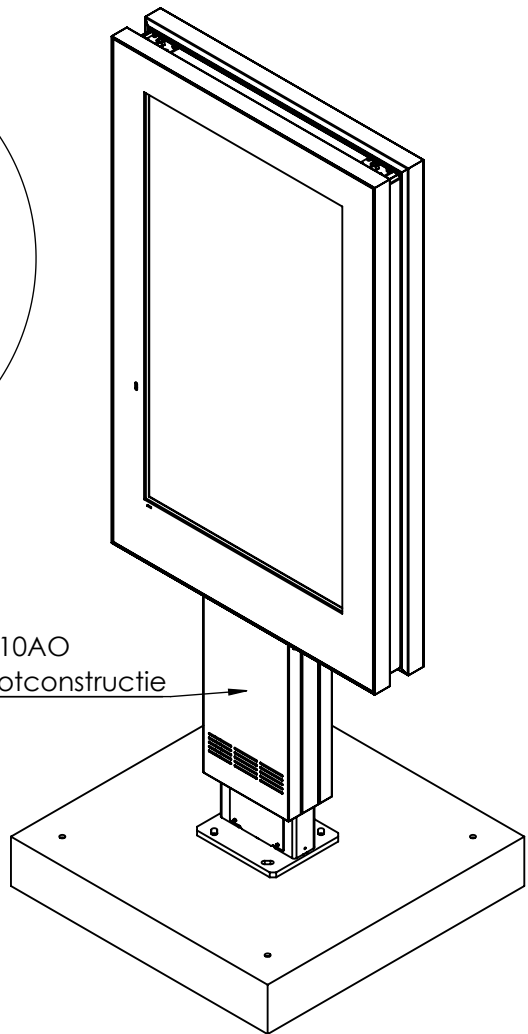
Hevel met dubbele cilinder

SCALE 1 : 10

kabinet*



Referentietype DU10AO opgenomen in voetconstructie



poetconstructie

maaiveld

fundering

200

afdekplaat tegen ongedierte

aardepunt M8

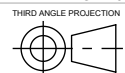
* De hoofdschakelaar bevindt zich in het kabinet, welke met bijgeleverde instructie te openen is.

Unless otherwise specified: All dimensions are in millimeters & include chem.applied/plated finish. Remove burrs & sharp edges.

DUMETS CONFIDENTIAL: THIS DOCUMENT AND THE INFORMATION CONTAINED IN IT ARE CONFIDENTIAL AND CANNOT BE COPIED OR DISCLOSED IN WHOLE OR IN PART WITHOUT THE EXPRESS WRITTEN CONSENT OF DUMETS HOLLAND

Tolerance according to NEN-ISO 406
 Roughness according to NEN 3634
 Shape tolerance according to NEN-ISO 1101

Nominal size (mm)	dim variation (mm)
0 - 3	±0.1
3 - 6	±0.15
6 - 10	±0.2
10 - 15	±0.25
15 - 20	±0.3
20 - 30	±0.4
30 - 50	±0.5
50 - 100	±0.8
100 - 200	±1.2



Part number: 7246



Dumets International B.V. www.dumets.com info@dumets.com

Description: Digital Sign Outdoor 75" SS FS CCNL Almond
 Material:
 Finish: -
 Configuration: Default
 Weight: 987.19 Kg
 Drawing: DU10AO-7246
 Surface area: m2 Thickness: mm
 Revision: 01

Date last saved: 13-5-2024
 Date created: 27-3-2024

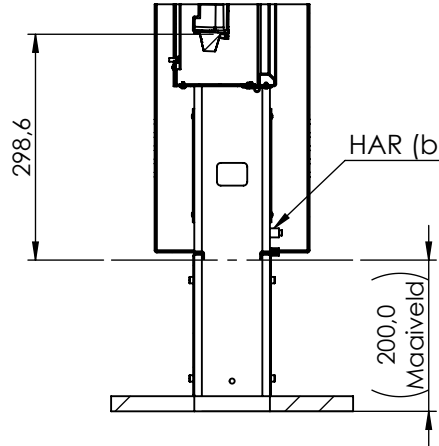
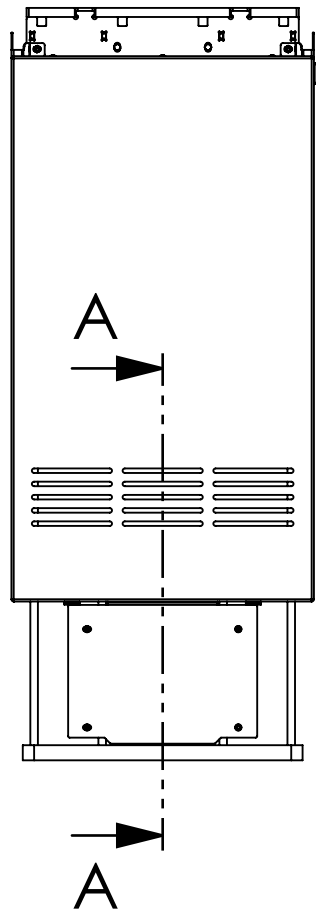
DXF available on request

Size A4

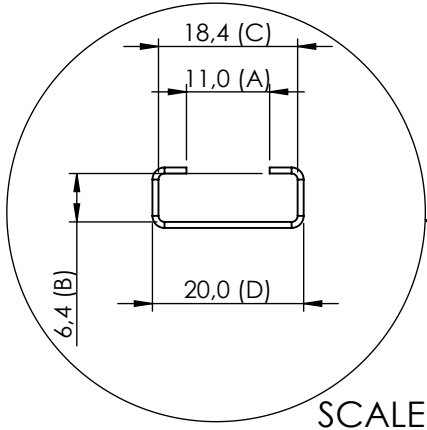
Scale: 1:25 A. Ruwe
 Sheet name: Sheet1 SHEET 1 OF 2

Additioneel type DU10AO-7246

1 2 3

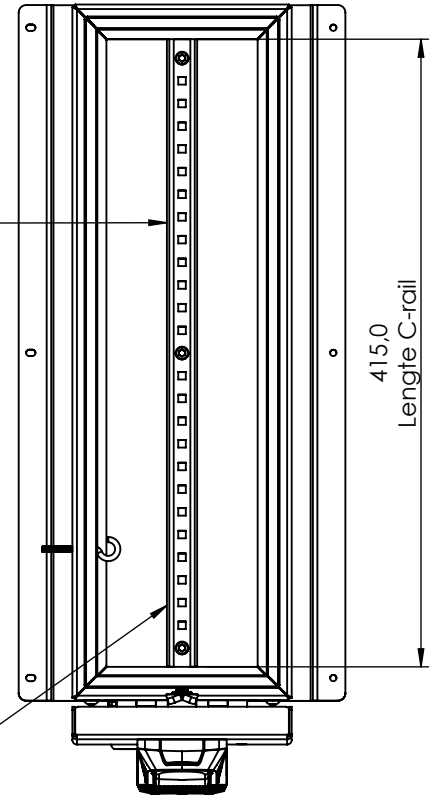


SECTION A-A
SCALE 1 : 10



SCALE 1 : 1

Referentietype Dumets 10A Onbemet (DU10AO)
Voorzijde, geopende toestand



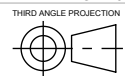
C-rail
Gecentreerd en over de gehele lengte van de achterwand

Unless otherwise specified: All dimensions are in millimeters & include chem.applied/plated finish. Remove burrs & sharp edges.

DUMETS CONFIDENTIAL: THIS DOCUMENT AND THE INFORMATION CONTAINED IN IT ARE CONFIDENTIAL AND CANNOT BE COPIED OR DISCLOSED IN WHOLE OR IN PART WITHOUT THE EXPRESS WRITTEN CONSENT OF DUMETS HOLLAND

Tolerance according to NEN-ISO 406
Roughness according to NEN 3634
Shape tolerance according to NEN-ISO 1101

Nominal size (mm)	dim variation (mm)
0 - 3	±0,1
3 - 6	±0,15
6 - 10	±0,2
10 - 15	±0,25
15 - 20	±0,3
20 - 30	±0,4
30 - 50	±0,5
50 - 100	±0,8
100 - 200	±1,2



Part number: 7246	
Dumets International B.V.	www.dumets.com info@dumets.com
Description: Digital Sign Outdoor 75" SS FS CCNL Alu	Date last saved: 13-5-2024
Material:	Date created: 27-3-2024
Finish: -	DXF available on request
Configuration: Default	Size A4
Weight: 987,19 Kg	Drawn by: A. Ruwe
Drawing: DU10AO-7246	Scale: 1:5
Surface area: m2 Thickness: mm	Sheet name: Sheet2
Revision: 01	SHEET 2 OF 2