

1 2 3 4 5 6

A

A

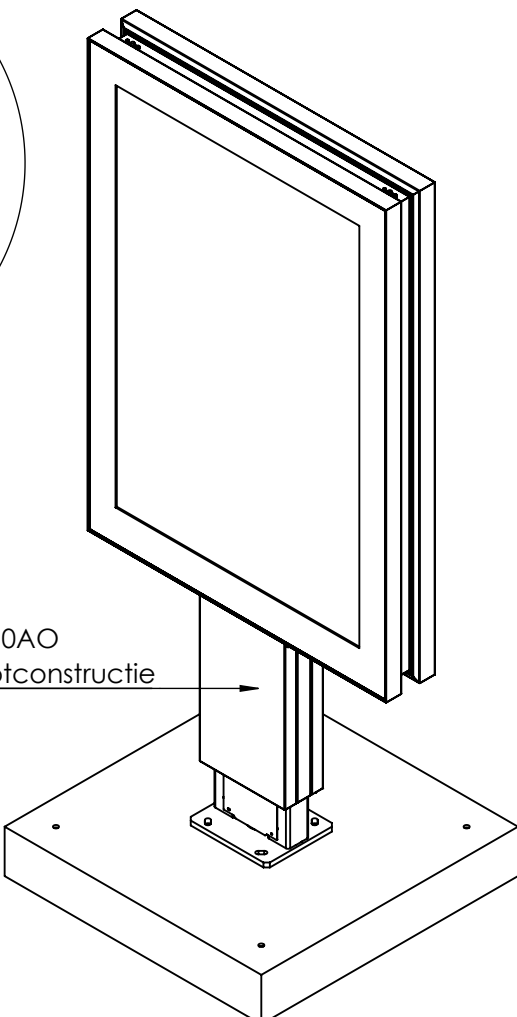
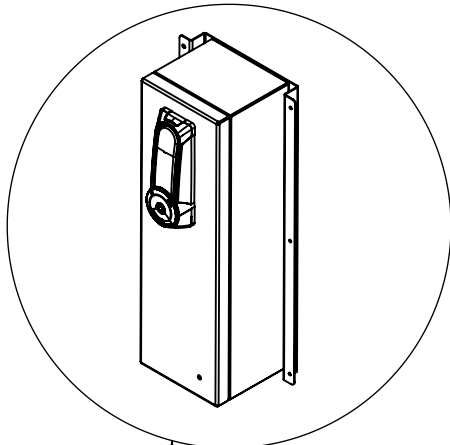
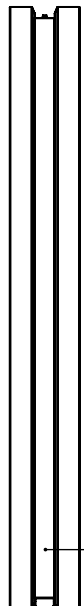
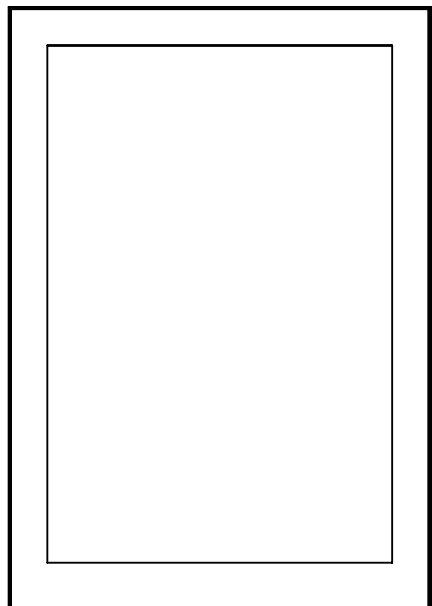
B

B

C

C

D



kabinet

pootconstructie

fundering

maaiveld

SCALE 1 : 10

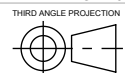
Referentietype DU10AO opgenomen in pootconstructie

Unless otherwise specified: All dimensions are in millimeters & include chem.applied/plated finish. Remove burrs & sharp edges.

DUMETS CONFIDENTIAL: THIS DOCUMENT AND THE INFORMATION CONTAINED IN IT ARE CONFIDENTIAL AND CANNOT BE COPIED OR DISCLOSED IN WHOLE OR IN PART WITHOUT THE EXPRESS WRITTEN CONSENT OF DUMETS HOLLAND

Tolerance according to NEN-ISO 406  
 Roughness according to NEN 3634  
 Shape tolerance according to NEN-ISO 1101

Nominal size (mm)	dim variation (mm)
0 - 3	±0.1
3 - 6	±0.1
6 - 30	±0.15
30 - 120	±0.2
120 - 180	±0.25
180 - 240	±0.3
240 - 300	±0.35
300 - 1000	±0.4
1000 - 2000	±0.5



**Part number: 7213**  
 Dumets International B.V. www.dumets.com info@dumets.com



Description: A00 DS FS ROT-ROT  
 Material: Built up  
 Finish: -  
 Configuration: Default  
 Weight: 832.07 Kg  
 Drawing: DU10AO-7213  
 Surface area: m2 Thickness: mm  
 Revision: 01

Date last saved: 27-3-2024  
 Date created: 27-3-2024  
 DXF available on request  
 Scale: 1:25

Size A4

Sheet name: Sheet1 SHEET 1 OF 1

Additioneel type DU10AO-7213

1 2 3