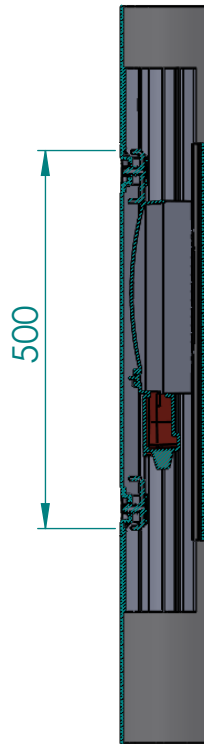
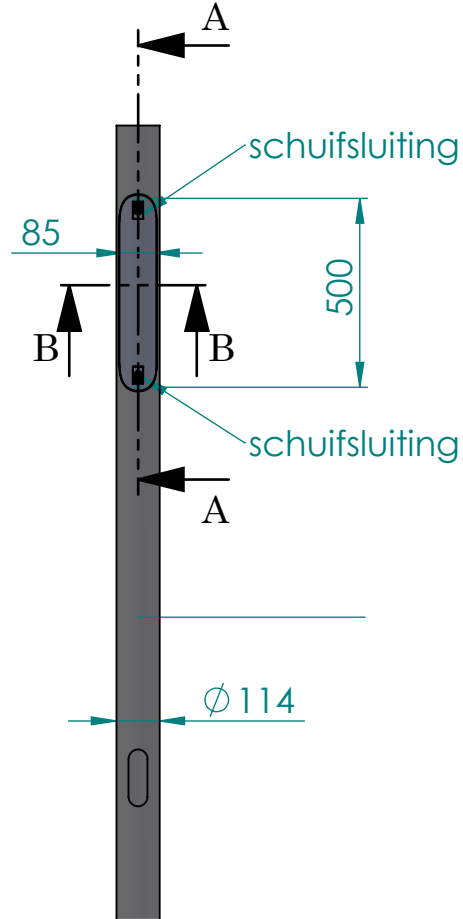

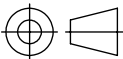


SECTION B-B
SCALE 1 : 5



SECTION A-A
SCALE 1 : 10



				<div style="border: 1px solid black; border-radius: 15px; padding: 5px; display: inline-block;"> Pole Products </div>		Pole Products Hydro Extrusion Drunen B.V. <small>Alcoalaan 1, NL-5151 RW Drunen, The Netherlands. Tel: +31(0)416-386200. www.hydroextrusions.com</small>							
		<small>THIS DRAWING REMAINS PROPERTY OF HYDRO POLE PRODUCTS IN DRUNEN AND MAY WITHOUT PERMISSION OF THE OWNER NOT BE MULTIPLIED, BE USED FOR THIRD PARTIES OR BE GIVEN TO THIRD PARTIES FOR PERUSAL.</small>		<small>AM.PROJ.</small> 		<small>DIMENSIONS / TOLERANCES LIGHT POLES ACCORDING EN40</small> <small>DIMENSIONS IN MM</small> <small>UNLESS OTHERWISE SPECIFIED</small>		<small>Changed by:</small> <small>Created by: a186237</small>		<small>Date:</small> <small>Date: 28-6-2023</small>		<small>Project nr.:</small> wijv2306	
		<small>FORMAT:</small> A4		<small>MATERIAL:</small> <small>DESCRIPTION:</small> CAM-OVL module in d114 500x85		<small>Remarks:</small> -		<small>Drawing nr:</small> assembly d114_500		<small>Revision:</small> 0		<small>Scale:</small> 1:20	
								<small>Weight:</small> - Kg		<small>Doc. status:</small> -			