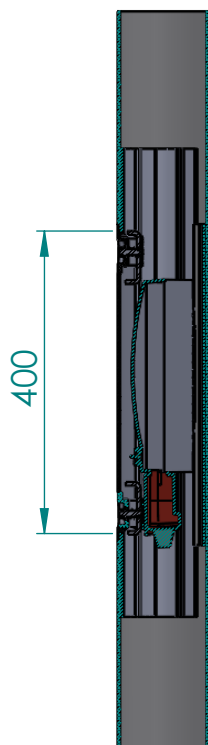
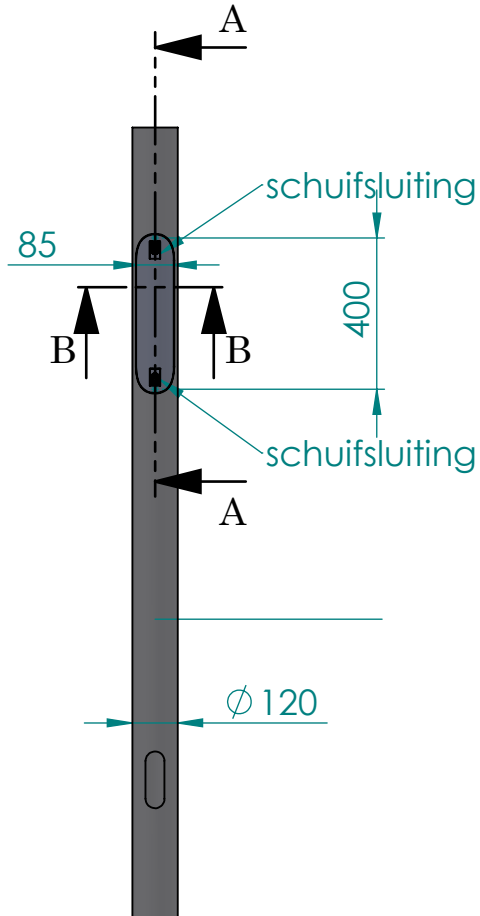

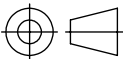


SECTION B-B
SCALE 1 : 5



SECTION A-A
SCALE 1 : 10



				<div style="border: 1px solid black; border-radius: 15px; padding: 5px; display: inline-block;"> Pole Products </div>		Pole Products Hydro Extrusion Drunen B.V. Alcoalaan 1, NL-5151 RW Drunen, The Netherlands. Tel: +31(0)416-386200. www.hydroextrusions.com					
THIS DRAWING REMAINS PROPERTY OF HYDRO POLE PRODUCTS IN DRUNEN AND MAY WITHOUT PERMISSION OF THE OWNER NOT BE MULTIPLIED, BE USED FOR THIRD PARTIES OR BE GIVEN TO THIRD PARTIES FOR PERUSAL.		AM.PROJ. 		DIMENSIONS / TOLERANCES LIGHT POLES ACCORDING EN40 DIMENSIONS IN MM UNLESS OTHERWISE SPECIFIED		Changed by: Created by: a186237 Remarks: -		Date: Date: 28-6-2023		Project nr: wijv2306 Scale: 1:20 Weight: - Kg	
		FORMAT: A4		MATERIAL: DESCRIPTION: CAM-OVL module in d120 400x85		Drawing nr: assembly d120_400		Revision: 0		Doc. status: -	